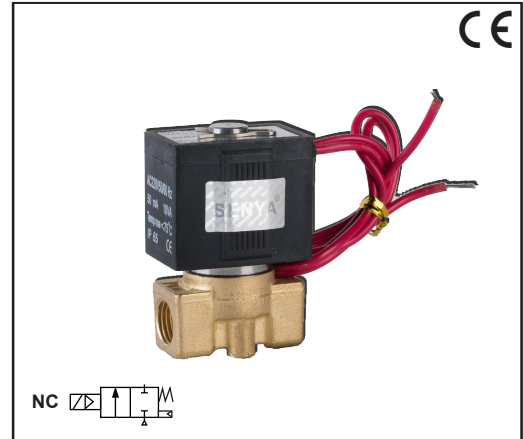


Features

- Compact design, have more working pressure options to choose in 10 Bar, 15 Bar, 20 Bar
- Suitable for gas, oil and other medium up to 150°C
- Random installation suited in limited working space



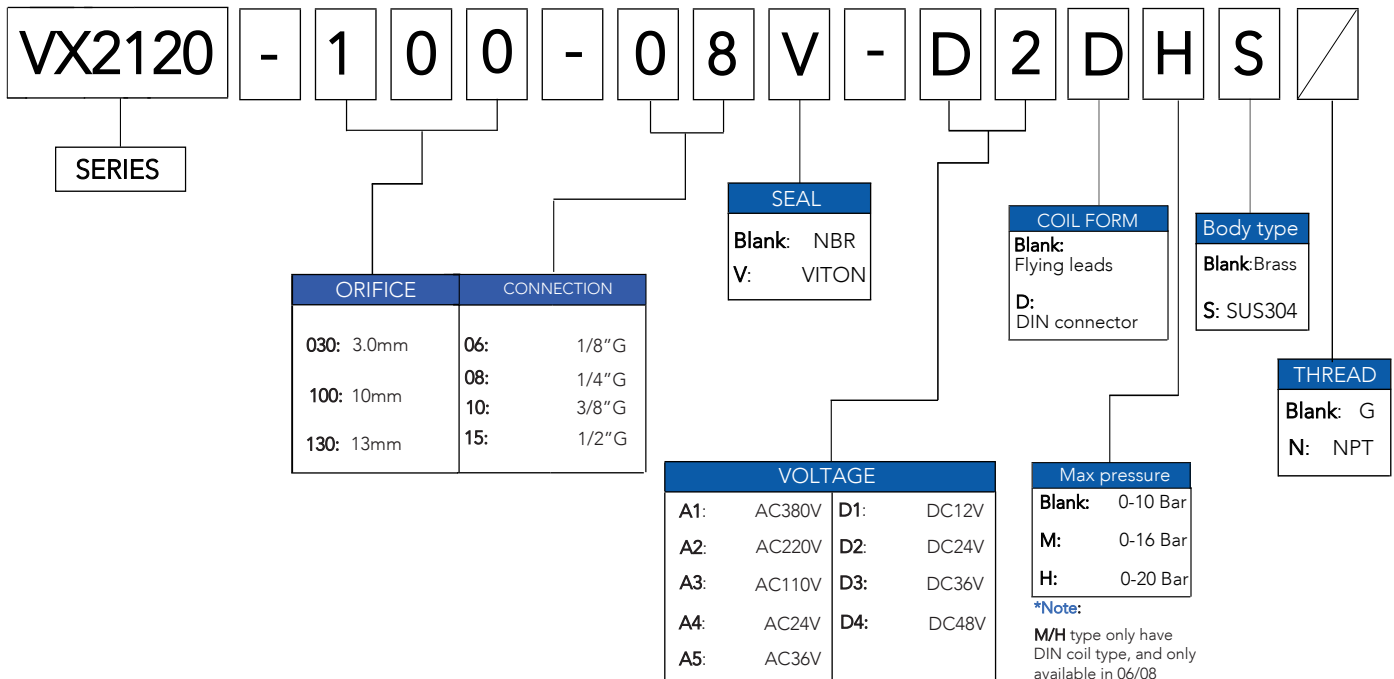
***Note:**

VX2120 series, flying leads coil could not be directly interchanged with DIN connector coil, the pilot sets need to be replaced at the same time.

Electrical

Standard Coil	Watt Rating and Power Consumption				Spare Coil Part Number			
	DC Watt	AC			General Purpose		Explosionproof	
		Watt	VA Holdin	VA Inrus	AC	DC	AC	DC
F	7.5	16	35	53	0540-AC	0540-DC	-	-
F	15	22	35	39	0545-AC	0545-DC	-	-

Ordering Code



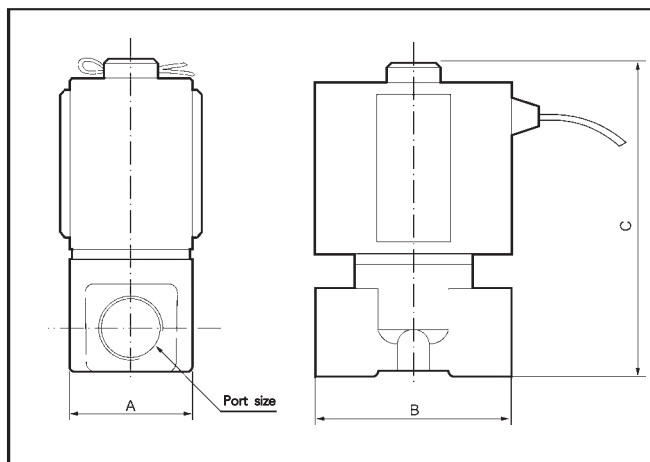
Order Example:

VX2120 series 2/2 ways solenoid valve, 1/4" port size, VITON seals, DC24V, DIN connector coil, 0-20 Bar working pressure, SUS304 BSPP (G) thread.
SENYA part# VX2120-100-08V-D2DHS

Direct Acting
General Service Solenoid Valve
 Brass Bodies
 1/8" to 1/4" BSP



Dimensions Sheet (mm)



Model	Port size	Orifice	A	B	C
VX2120-030-06	1/8"	3mm	26	40	66
VX2120-030-08	1/4"	3mm	26	40	66
VX2120-100-10	3/8"	10mm	40	48	78
VX2120-130-15	1/2"	13mm	47	66	88

Specifications (Metric units)

Pipe Size (in)	Orifice Size (mm)	CV Flow Factor	Operating Pressure Differential (Bar)								Max. Fluid Temp. °C		Brass Body Catalog Number	Stainless Steel 304 Catalog Number	Watt Rating/ Class of Coil Insulation	
			Min.	Max. AC			Max. DC			AC	DC	AC			DC	
				Air-Inert Gas	Water	Light Oil less 50 CST	Air-Inert Gas	Water	Light Oil less 50 CST							
NORMALLY CLOSED (Closed when de-energized)																
1/8	3.0	0.35	0	10	10	10	10	10	10	10	80	80	VX2120-030-06-D2D	VX2120-030-06-D2DS	17.1/F	-
1/8	3.0	0.35	0	10	10	10	10	10	10	10	150	150	VX2120-030-06V-D2DS	VX2120-030-06V-D2D	-	11.6/F
1/8	3.0	0.12	0	20	20	20	20	20	20	20	150	150	VX2120-030-06V-D2DHS	VX2120-030-06V-D2DHS	17.1/F	40.6H
1/4	3.0	0.41	0	10	10	10	10	10	10	10	80	80	VX2120-030-08-D2D	VX2120-030-08-D2DS	17.1/F	-
1/4	3.0	0.41	0	10	10	10	10	10	10	10	150	150	VX2120-030-08V-D2DS	VX2120-030-08V-D2D	-	11.6/F
1/4	3.0	0.22	0	20	20	20	20	20	20	20	150	150	VX2120-030-08V-D2DHS	VX2120-030-08V-D2DHS	17.1/F	40.6H
3/8	10	2.21	0	10	10	10	10	10	10	10	80	80	VX2120-100-10-D2D	VX2120-100-10-D2DS	-	11.6/F
3/8	10	2.21	0	10	10	10	10	10	10	10	150	150	VX2120-100-10V-D2D	VX2120-100-10V-D2DS	17.1/F	40.6H
1/2	10	3.32	0	10	10	10	10	10	10	10	80	80	VX2120-130-15-D2D	VX2120-130-15-D2DS	17.1/F	-
1/2	10	3.32	0	10	10	10	10	10	10	10	150	150	VX2120-130-15V-D2D	VX2120-130-15V-D2DS	-	11.6/F

***Note:**

Standard Voltages must be specified when ordering. Other voltages please consult SENYA staff for more details